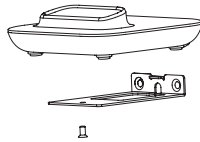


PACKAGE CONTENT  
设备包装清单  
CONTENIDO DEL PAQUETE  
CONTENU DU PAQUET  
PACKUNGSINHALT  
CONTENUTO DELLA CONFEZIONE  
КОМПЛЕКТ ПОСТАВКИ  
CONTEÚDO DA EMBALAGEM



WP816 Phone  
WP816手机  
Teléfono WP816  
Téléphone WP816  
WP816-Telefon  
Telefono WP816  
WP816-телефония  
Telefone WP816



Charging Station  
充电座  
Estación de Carga  
Station de Charge  
Ladestation  
Stazione di carica  
Зарядная станция  
Estação de Carga



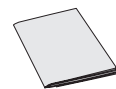
Handset Belt Clip  
手柄皮带夹  
Cinturón Clip para Auricular  
Support Ceinture du Combiné  
Handset Gürtelclip  
Clip per cintura per ricevitore  
Зажим для крепления к поясному ремню  
Clip de cinto para o Handset



Rechargeable Battery  
充电电池  
Batería Recargable  
Batterie rechargeable  
Wiederaufladbare Batterien  
Batterie ricaricabili  
Акумуляторные батареи  
Bateria Recarregável



Type-C 5V power adapter  
Type-C 5V电源适配器  
Adaptador de corriente tipo C de 5 V  
Adaptateur secteur de type C 5 V  
Typ-C-5-V-Netzteil  
Adattatore di alimentazione di tipo C da 5 V  
Адаптер питания типа C 5 В  
Adaptador de energia tipo C 5V



Quick Installation Guide  
快速安装手册  
Guía de Instalación rápida  
Guide d'Installation Rapide  
Kurz- Installationsanleitung  
Guida rapida diinstallazione  
Краткие руководства по  
Guia de Instalação Rápido



Grandstream Networks, Inc.

126 Brookline Ave, 3rd Floor  
Boston, MA 02215. USA  
Tel : +1 (617) 566 - 9300



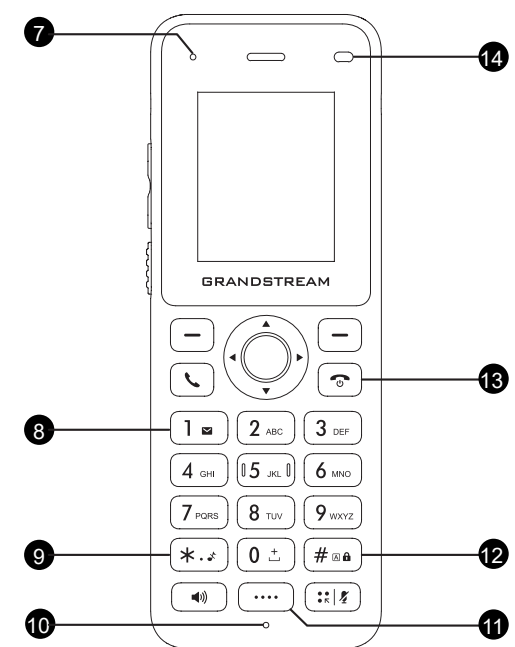
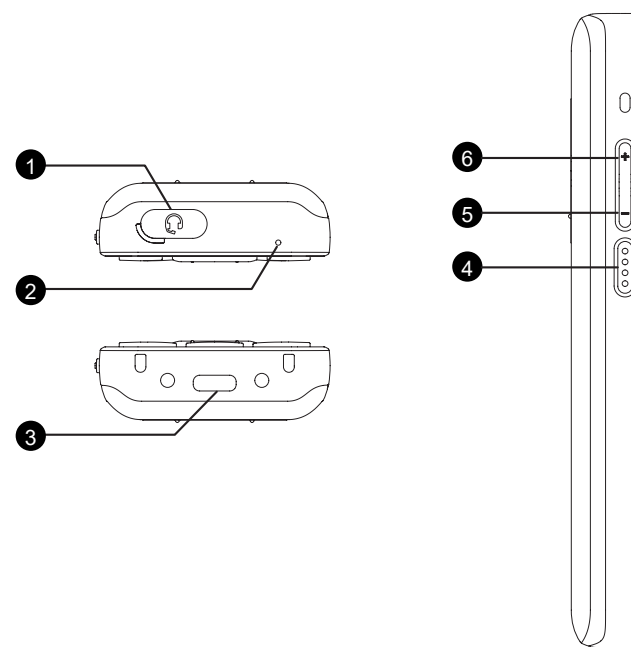
BE	BG	CZ	DK	DE	EE	IE	EL	LI
ES	FR	HR	IT	CY	LV	LT	LU	CH
HU	MT	NL	AT	PL	PT	RO	SI	TR
SK	FI	SE	NO	IS	UK	UK(NI)		

In the UK and EU member states, operation of 5150-5350 MHz is restricted to indoor use only.



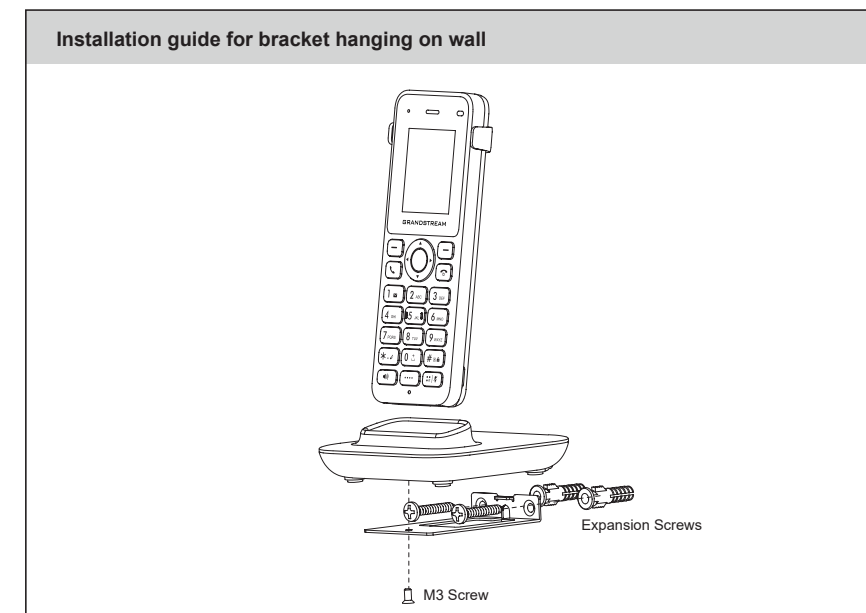
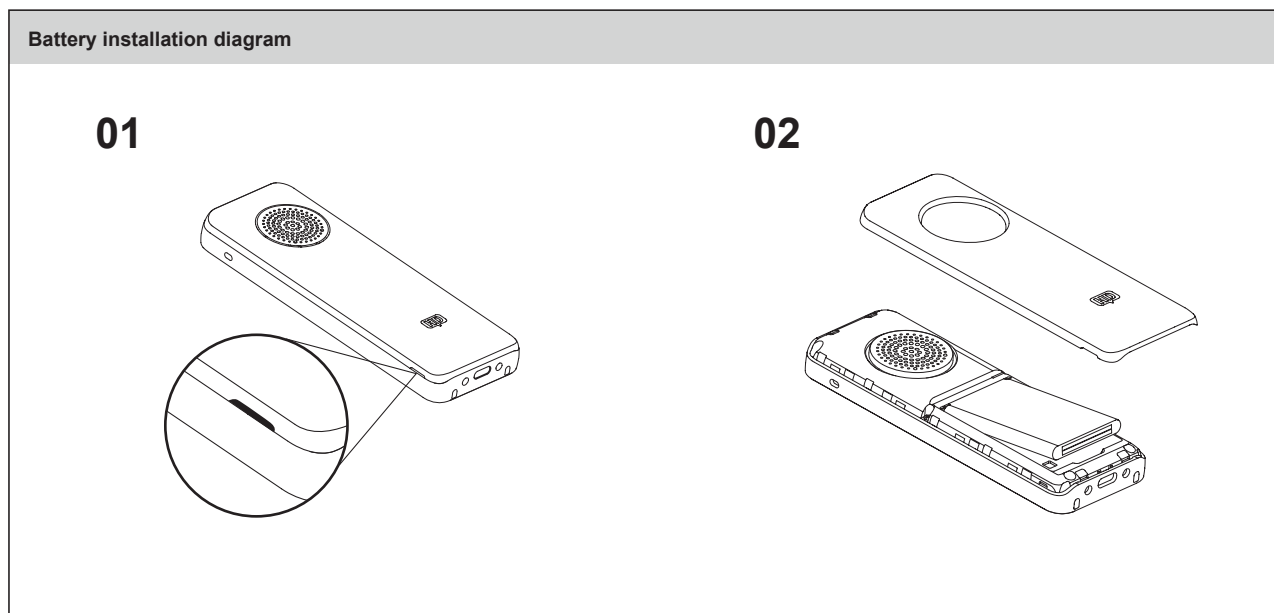
For Certification, Warranty and RMA information, please visit [www.grandstream.com](http://www.grandstream.com)

WP816 PORTS AND BUTTONS  
WP816 接口和按钮  
WP816 PUERTOS Y BOTONES  
PORTS ET BOUTTONS DE WP816  
WP816 PORTS UND TASTEN  
PORTE E PULSANTI DEL WP816  
РАЗЪЕМЫ И КНОПКИ WP816  
PORTAS E BOTÕES WP816



DEFAULT Wi-Fi	
SSID	wp_master
	wp!987@dmin

	English	简体中文	Español	Français	Deutsch	Italiano	Русский	Português
1	3.5 mm Headset Jack	3.5毫米耳机插孔	Toma de auriculares de 3.5 mm	Prise casque 3.5 mm	3,5mm Headset Anschluß	Connessione per cuffie da 3,5 mm	Разъём для гарнитуры 3,5 мм	Porta para headset de 3.5 mm
2	Noise Canceling Microphone	降噪麦克风	Micrófono con cancelación de ruido	Microphone antibruit	Mikrofon mit Geräuschunterdrückung	Microfono con cancellazione del rumore	Микрофон с шумоподавлением	Microfone com cancelamento de ruído
3	Type-C Headphone & charging port	Type-C 耳机和充电端口	Puerto de carga y auriculares Type-C	Port pour casque et chargeur de type C	Typ-C-Kopfhörer- und Ladeanschluss	Porta per cuffie e ricarica Type-C	Порт для наушников и зарядки Type-C	Porta tipo C para auscultadores e carregamento
4	PTT key	PTT 键	Tecla PTT	Touche PTT	PTT Taste (Push to Talk)	Tasto PTT	Кнопка PTT	Tecla PTT
5	Volume Down Key	音量降低键	Tecla de Bajar Volumen	Touche Volume Bas	Taste zur Reduzierung der Lautstärke	Tasto Riduzione Volume	Кнопка уменьшения громкости	Tecla baixar volume
6	Volume Up key	音量提高键	Tecla Subir Volumen	Touche Volume Haut	Taste zur Erhöhung der Lautstärke	Tasto Aumento Volume	Кнопка увеличения громкости	Tecla subir volume
7	LED indicator	LED指示灯	Indicador LED	Indicateur LED	LED Anzeige	Indicatore LED	СИДиндикатор	Indicador LED
8	1 / Voicemail key	1/语音信箱键	1 / Tecla de correo de voz	1 / Touche Messagerie Vocale	1 / Sprachnachrichten Taste	1 / Tasto Casella vocale	1 / Кнопка Голосовая почта	1 / Tecla de Correo de Voz
9	* / Symbolic key / Silent Mode	* / 符号键 / 静音模式	* / Tecla simbólica / Modo silencioso	* / Touche symbolique / Mode silencieux	* / Symbolische Taste / Stiller Modus	* / Tasto simbolico / Modalità silenziosa	* / Символическая клавиша / Беззвучный режим	* / Tecla simbólica / Modo silencioso
10	Microphone	麦克风	Micrófono	Microphone	Mikrofon	Microfono	Микрофон	Microfone
11	Dedicated function key	专用功能键	Tecla de función dedicada	Touche de fonction dédiée	dedizierte Funktionstaste	Tasto funzione dedicato	специальная функциональная клавиша	Tecla de função dedicada
12	# / Input method switching / Lock key	# / 输入法切换 / 锁定键	# / Conmutación del método de entrada / Tecla de bloqueo	# / Commutation de la méthode d'entrée / Touche de verrouillage	# / Umschalten der Eingabemethode / Sperrtaste	# / Commutazione del metodo di ingresso / Tasto di blocco	# / Переключение способа ввода / Клавиша блокировки	# / Comutação do método de entrada / Tecla de bloqueio
13	On-hook/Power key	挂机或电源键	Cuelgue / tecla de encendido	Décrocher / Touche d'Appel	Auflegen und An/Aus Taste	Tasto Accensione / aggancio	Кнопка окончания вызова / питания	On-hook / Tecla de power
14	Proximity Sensor	近距离传感器	Sensor de proximidad	Captur de proximité	Nahbereichsensor	Sensore di prossimità	Датчик приближения	Sensor de proximidade



English
<p>The WP816 is not pre-configured to support or make emergency calls to any type of hospital, law enforcement agency, medical care unit ("Emergency Service(s)") or any other kind of Emergency Service. You must make additional arrangements to access Emergency Services. It is your responsibility to purchase SIP-compliant Internet telephone service, properly configure the WP816 to use that service, and periodically test your configuration to confirm that it works as you expect. It is also your responsibility to purchase traditional wireless or landline telephone services to access Emergency Services.</p>
<p>GRANDSTREAM DOES NOT PROVIDE CONNECTIONS TO EMERGENCY SERVICES VIA THE WP816. NEITHER GRANDSTREAM NOR ITS OFFICES, EMPLOYEES OR AFFILIATES MAY BE HELD LIABLE FOR ANY CLAIM, DAMAGE, OR LOSS, AND YOU HEREBY WAIVE ANY AND ALL SUCH CLAIMS OR CAUSES OF ACTION ARISING FROM OR RELATING TO YOUR INABILITY TO USE THE WP816 TO CONTACT EMERGENCY SERVICES, AND YOUR FAILURE TO MAKE ADDITIONAL ARRANGEMENTS TO ACCESS EMERGENCY SERVICES IN ACCORDANCE WITH THE IMMEDIATELY PRECEDING PARAGRAPH.</p>
<p>The GNU GPL license terms are incorporated into the device firmware and can be accessed via the Web user interface of the device at my_device_ip/gpl_license. It can also be accessed here: https://www.grandstream.com/legal/open-source-software</p> <p>To obtain a CD with GPL source code information please submit a written request to info@grandstream.com</p>

<p><b>Grandstream Networks</b> 公司的WP816<b>不支持紧急通话服务</b>。Grandstream Networks公司、其管理者和员工以及其相关机构对此所造成的任何索赔、损失或者损害都不负有任何法律追责任。在此，您将无权对任何以及所有由于无法通过WP816拨打紧急电话以及没有遵照前段文字描述而造成紧急通话失败的事件提出诉讼。</p>
<p>GNU GPL许可条款已包含在设备固件中，可以通过设备的Web用户界面 my_device_ip/gpl_license 进行访问。</p> <p>也可以通过以下链接访问： https://www.grandstream.com/legal/open-source-software</p> <p>如果需要包含GPL源代码信息的CD，请发邮件到 info@grandstream.com 提交请求。</p>

简体中文
<p>WP816不预设对医院，执法机构，医疗中心(急救服务)以及各种紧急服务的紧急通话服务。用户必须自行设定紧急通话功能。用户必须自行购买SIP兼容的网络电话服务，正确的设定WP816使用该服务，并定期测试您的配置以确保WP816如预期工作，否则请购买传统无线或有线电话服务来拨打紧急通话。</p>
<p>Grandstream Networks 公司的WP816<b>不支持紧急通话服务</b>。Grandstream Networks公司、其管理者和员工以及其相关机构对此所造成的任何索赔、损失或者损害都不负有任何法律追责任。在此，您将无权对任何以及所有由于无法通过WP816拨打紧急电话以及没有遵照前段文字描述而造成紧急通话失败的事件提出诉讼。</p>
<p>GNU GPL许可条款已包含在设备固件中，可以通过设备的Web用户界面 my_device_ip/gpl_license 进行访问。</p> <p>也可以通过以下链接访问： https://www.grandstream.com/legal/open-source-software</p> <p>如果需要包含GPL源代码信息的CD，请发邮件到 info@grandstream.com 提交请求。</p>

English
<p>The WP816 is not pre-configured to support or make emergency calls to any type of hospital, law enforcement agency, medical care unit ("Emergency Service(s)") or any other kind of Emergency Service. You must make additional arrangements to access Emergency Services. It is your responsibility to purchase SIP-compliant Internet telephone service, properly configure the WP816 to use that service, and periodically test your configuration to confirm that it works as you expect. It is also your responsibility to purchase traditional wireless or landline telephone services to access Emergency Services.</p>
<p>GRANDSTREAM DOES NOT PROVIDE CONNECTIONS TO EMERGENCY SERVICES VIA THE WP816. NEITHER GRANDSTREAM NOR ITS OFFICES, EMPLOYEES OR AFFILIATES MAY BE HELD LIABLE FOR ANY CLAIM, DAMAGE, OR LOSS, AND YOU HEREBY WAIVE ANY AND ALL SUCH CLAIMS OR CAUSES OF ACTION ARISING FROM OR RELATING TO YOUR INABILITY TO USE THE WP816 TO CONTACT EMERGENCY SERVICES, AND YOUR FAILURE TO MAKE ADDITIONAL ARRANGEMENTS TO ACCESS EMERGENCY SERVICES IN ACCORDANCE WITH THE IMMEDIATELY PRECEDING PARAGRAPH.</p>
<p>The GNU GPL license terms are incorporated into the device firmware and can be accessed via the Web user interface of the device at my_device_ip/gpl_license. It can also be accessed here: https://www.grandstream.com/legal/open-source-software</p> <p>To obtain a CD with GPL source code information please submit a written request to info@grandstream.com</p>

简体中文
<p>WP816不预设对医院，执法机构，医疗中心(急救服务)以及各种紧急服务的紧急通话服务。用户必须自行设定紧急通话功能。用户必须自行购买SIP兼容的网络电话服务，正确的设定WP816使用该服务，并定期测试您的配置以确保WP816如预期工作，否则请购买传统无线或有线电话服务来拨打紧急通话。</p>
<p>Grandstream Networks 公司的WP816<b>不支持紧急通话服务</b>。Grandstream Networks公司、其管理者和员工以及其相关机构对此所造成的任何索赔、损失或者损害都不负有任何法律追责任。在此，您将无权对任何以及所有由于无法通过WP816拨打紧急电话以及没有遵照前段文字描述而造成紧急通话失败的事件提出诉讼。</p>
<p>GNU GPL许可条款已包含在设备固件中，可以通过设备的Web用户界面 my_device_ip/gpl_license 进行访问。</p> <p>也可以通过以下链接访问： https://www.grandstream.com/legal/open-source-software</p> <p>如果需要包含GPL源代码信息的CD，请发邮件到 info@grandstream.com 提交请求。</p>

English
<p>The WP816 is not pre-configured to support or make emergency calls to any type of hospital, law enforcement agency, medical care unit ("Emergency Service(s)") or any other kind of Emergency Service. You must make additional arrangements to access Emergency Services. It is your responsibility to purchase SIP-compliant Internet telephone service, properly configure the WP816 to use that service, and periodically test your configuration to confirm that it works as you expect. It is also your responsibility to purchase traditional wireless or landline telephone services to access Emergency Services.</p>
<p>GRANDSTREAM DOES NOT PROVIDE CONNECTIONS TO EMERGENCY SERVICES VIA THE WP816. NEITHER GRANDSTREAM NOR ITS OFFICES, EMPLOYEES OR AFFILIATES MAY BE HELD LIABLE FOR ANY CLAIM, DAMAGE, OR LOSS, AND YOU HEREBY WAIVE ANY AND ALL SUCH CLAIMS OR CAUSES OF ACTION ARISING FROM OR RELATING TO YOUR INABILITY TO USE THE WP816 TO CONTACT EMERGENCY SERVICES, AND YOUR FAILURE TO MAKE ADDITIONAL ARRANGEMENTS TO ACCESS EMERGENCY SERVICES IN ACCORDANCE WITH THE IMMEDIATELY PRECEDING PARAGRAPH.</p>
<p>The GNU GPL license terms are incorporated into the device firmware and can be accessed via the Web user interface of the device at my_device_ip/gpl_license. It can also be accessed here: https://www.grandstream.com/legal/open-source-software</p> <p>To obtain a CD with GPL source code information please submit a written request to info@grandstream.com</p>

English
<p>The WP816 is not pre-configured to support or make emergency calls to any type of hospital, law enforcement agency, medical care unit ("Emergency Service(s)") or any other kind of Emergency Service. You must make additional arrangements to access Emergency Services. It is your responsibility to purchase SIP-compliant Internet telephone service, properly configure the WP816 to use that service, and periodically test your configuration to confirm that it works as you expect. It is also your responsibility to purchase traditional wireless or landline telephone services to access Emergency Services.</p>
<p>GRANDSTREAM DOES NOT PROVIDE CONNECTIONS TO EMERGENCY SERVICES VIA THE WP816. NEITHER GRANDSTREAM NOR ITS OFFICES, EMPLOYEES OR AFFILIATES MAY BE HELD LIABLE FOR ANY CLAIM, DAMAGE, OR LOSS, AND YOU HEREBY WAIVE ANY AND ALL SUCH CLAIMS OR CAUSES OF ACTION ARISING FROM OR RELATING TO YOUR INABILITY TO USE THE WP816 TO CONTACT EMERGENCY SERVICES, AND YOUR FAILURE TO MAKE ADDITIONAL ARRANGEMENTS TO ACCESS EMERGENCY SERVICES IN ACCORDANCE WITH THE IMMEDIATELY PRECEDING PARAGRAPH.</p>
<p>The GNU GPL license terms are incorporated into the device firmware and can be accessed via the Web user interface of the device at my_device_ip/gpl_license. It can also be accessed here: https://www.grandstream.com/legal/open-source-software</p> <p>To obtain a CD with GPL source code information please submit a written request to info@grandstream.com</p>

English
<p>The WP816 is not pre-configured to support or make emergency calls to any type of hospital, law enforcement agency, medical care unit ("Emergency Service(s)") or any other kind of Emergency Service. You must make additional arrangements to access Emergency Services. It is your responsibility to purchase SIP-compliant Internet telephone service, properly configure the WP816 to use that service, and periodically test your configuration to confirm that it works as you expect. It is also your responsibility to purchase traditional wireless or landline telephone services to access Emergency Services.</p>
<p>GRANDSTREAM DOES NOT PROVIDE CONNECTIONS TO EMERGENCY SERVICES VIA THE WP816. NEITHER GRANDSTREAM NOR ITS OFFICES, EMPLOYEES OR AFFILIATES MAY BE HELD LIABLE FOR ANY CLAIM, DAMAGE, OR LOSS, AND YOU HEREBY WAIVE ANY AND ALL SUCH CLAIMS OR CAUSES OF ACTION ARISING FROM OR RELATING TO YOUR INABILITY TO USE THE WP816 TO CONTACT EMERGENCY SERVICES, AND YOUR FAILURE TO MAKE ADDITIONAL ARRANGEMENTS TO ACCESS EMERGENCY SERVICES IN ACCORDANCE WITH THE IMMEDIATELY PRECEDING PARAGRAPH.</p>
<p>The GNU GPL license terms are incorporated into the device firmware and can be accessed via the Web user interface of the device at my_device_ip/gpl_license. It can also be accessed here: https://www.grandstream.com/legal/open-source-software</p> <p>To obtain a CD with GPL source code information please submit a written request to info@grandstream.com</p>

English
<p>The WP816 is not pre-configured to support or make emergency calls to any type of hospital, law enforcement agency, medical care unit ("Emergency Service(s)") or any other kind of Emergency Service. You must make additional arrangements to access Emergency Services. It is your responsibility to purchase SIP-compliant Internet telephone service, properly configure the WP816 to use that service, and periodically test your configuration to confirm that it works as you expect. It is also your responsibility to purchase traditional wireless or landline telephone services to access Emergency Services.</p>
<p>GRANDSTREAM DOES NOT PROVIDE CONNECTIONS TO EMERGENCY SERVICES VIA THE WP816. NEITHER GRANDSTREAM NOR ITS OFFICES, EMPLOYEES OR AFFILIATES MAY BE HELD LIABLE FOR ANY CLAIM, DAMAGE, OR LOSS, AND YOU HEREBY WAIVE ANY AND ALL SUCH CLAIMS OR CAUSES OF ACTION ARISING FROM OR RELATING TO YOUR INABILITY TO USE THE WP816 TO CONTACT EMERGENCY SERVICES, AND YOUR FAILURE TO MAKE ADDITIONAL ARRANGEMENTS TO ACCESS EMERGENCY SERVICES IN ACCORDANCE WITH THE IMMEDIATELY PRECEDING PARAGRAPH.</p>
<p>The GNU GPL license terms are incorporated into the device firmware and can be accessed via the Web user interface of the device at my_device_ip/gpl_license. It can also be accessed here: https://www.grandstream.com/legal/open-source-software</p> <p>To obtain a CD with GPL source code information please submit a written request to info@grandstream.com</p>

Français
<p>Le WP816 n'est pas préconfiguré pour prendre en charge ou faire des appels d'urgence à tout type d'hôpital, organisme d'application de la loi, unité de soins médicaux (service d'urgence) ou tout autre type de service d'urgence. Vous devez prendre des dispositions supplémentaires pour accéder aux services d'urgence. Il est de votre responsabilité d'acheter un service téléphonique Internet compatible SIP, de configurer correctement le WP816 pour utiliser ce service et de tester périodiquement votre configuration pour confirmer qu'elle fonctionne comme prévu. Il est également de votre responsabilité d'acheter des services téléphoniques sans fil ou fixes traditionnels pour accéder aux services d'urgence.</p>
<p>GRANDSTREAM NE FOURNIT PAS DE CONNEXIONS AUX SERVICES D'URGENCE VIA LE WP816. NI GRANDSTREAM NI SES BUREAUX, EMPLOYÉS OU SOCIÉTÉS AFFILIÉES NE PEUVENT ÊTRE TENUS RESPONSABLES DE TOUTE RÉCLAMATION, DOMMAGE OU PERTE, ET VOUS RENONCEZ À TOUTES LES RÉCLAMATIONS OU CAUSES D'ACTION DÉCOULANT DE VOTRE INCAPACITÉ À UTILISER LE WP816 POUR CONTACTER LES SERVICES D'URGENCE, ET VOTRE DÉFAUT DE PRENDRE DES DISPOSITIONS SUPPLÉMENTAIRES POUR ACCÉDER AUX SERVICES D'URGENCE SELON LE PARAGRAPHE PRÉCÉDANT IMMÉDIATEMENT.</p>
<p>Les termes de la licence GNU GPL sont incorporés dans le micrologiciel du périphérique et sont accessibles via l'interface utilisateur Web du périphérique à l'adresse my_device_ip/gpl_license. Vous pouvez également y accéder ici: https://www.grandstream.com/legal/open-source-software. Pour obtenir un CD contenant les informations du code source GPL, veuillez envoyer une demande écrite à info@grandstream.com</p>

Deutsch
<p>Das WP816 ist nicht vorkonfiguriert, um Notfallrufnummern jeglicher Art (Unfall, Krankenhaus, Juristisch, Medizinisch, usw.) automatisiert oder manuell durchzuführen. Diese Services müssen separat bestellt und organisiert werden. Ferner liegt es im Verantwortungsbereich des Endverbrauchers, einen adäquaten und SIP-kompatiblen Anschluss bereitzustellen und diesen, zusammen mit dem WP816 so zu konfigurieren, dass das Endgerät wunschgemäß funktioniert.</p>
<p>GRANDSTREAM BIETET KEINE ANBINDUNG ZU NOTRUFSERVICES ÜBER DAS WP816. WEDER GRANDSTREAM, NOCH GRANDSTREAM NIEDERLASSUNGEN ODER MITARBEITER SIND HAFTBAR FÜR BESCHÄDIGUNGEN, VERLUSTE, ODER ALLE ANDEREN ARTEN AN SCHADENSANSPRÜCHEN, DIE SICH AUS DER INSTALLATION, EINSATZ UND NUTZUNG DES WP816 ALS TEIL EINES NOTRUFSYSTEMS ERGEBEN KÖNNTEN. ES LIEGT EINZIG IN DER VERANTWORTUNG DES BENUTZERS, DIE NOTWENDIGEN NOTRUFSERVICES, TELEKOMMUNIKATIONSANSCHLÜSSE UND TECHNISCHE VORAUSSETZUNGEN FÜR DIE NUTZUNG DES WP816 ZU SCHAFFEN.</p>
<p>Die GNU GPL Lizenz ist in der Gerätesoftware hinterlegt und kann über die Web-Schnittstelle unter my_device_ip/gpl_license (Endgerät_ip/gpl_Lizenz aufgerufen werden. Die Lizenz ist ebenfalls abrufbar unter https://www.grandstream.com/legal/open-source-software. Um eine CD mit der Lizenz zu erhalten, senden Sie uns bitte eine Email an info@Grandstream.com.</p>

Deutsch
<p>Das WP816 ist nicht vorkonfiguriert, um Notfallrufnummern jeglicher Art (Unfall, Krankenhaus, Juristisch, Medizinisch, usw.) automatisiert oder manuell durchzuführen. Diese Services müssen separat bestellt und organisiert werden. Ferner liegt es im Verantwortungsbereich des Endverbrauchers, einen adäquaten und SIP-kompatiblen Anschluss bereitzustellen und diesen, zusammen mit dem WP816 so zu konfigurieren, dass das Endgerät wunschgemäß funktioniert.</p>
<p>GRANDSTREAM BIETET KEINE ANBINDUNG ZU NOTRUFSERVICES ÜBER DAS WP816. WEDER GRANDSTREAM, NOCH GRANDSTREAM NIEDERLASSUNGEN ODER MITARBEITER SIND HAFTBAR FÜR BESCHÄDIGUNGEN, VERLUSTE, ODER ALLE ANDEREN ARTEN AN SCHADENSANSPRÜCHEN, DIE SICH AUS DER INSTALLATION, EINSATZ UND NUTZUNG DES WP816 ALS TEIL EINES NOTRUFSYSTEMS ERGEBEN KÖNNTEN. ES LIEGT EINZIG IN DER VERANTWORTUNG DES BENUTZERS, DIE NOTWENDIGEN NOTRUFSERVICES, TELEKOMMUNIKATIONSANSCHLÜSSE UND TECHNISCHE VORAUSSETZUNGEN FÜR DIE NUTZUNG DES WP816 ZU SCHAFFEN.</p>
<p>Die GNU GPL Lizenz ist in der Gerätesoftware hinterlegt und kann über die Web-Schnittstelle unter my_device_ip/gpl_license (Endgerät_ip/gpl_Lizenz aufgerufen werden. Die Lizenz ist ebenfalls abrufbar unter https://www.grandstream.com/legal/open-source-software. Um eine CD mit der Lizenz zu erhalten, senden Sie uns bitte eine Email an info@Grandstream.com.</p>

Italiano
<p>WP816 non è preconfigurato per supportare o effettuare chiamate di emergenza a qualsiasi tipo di ospedale, struttura giudiziaria, unità di assistenza medica ("Servizi di emergenza") o a qualsiasi altro tipo di ervizio di emergenza. È necessario effettuare accordi supplementari per accedere ai Servizi di emergenza. È a Vostra esclusiva responsabilità acquistare servizi di telefonia internet conformi con SIP, configurare WP816 correttamente per usare tale servizio ed effettuare test periodici della configurazione per assicurarsi che funzioni in modo idoneo. Se non si effettua ciò, è Vostra responsabilità acquistare servizi telefonici fissi o wireless tradizionali per accedere ai Servizi di emergenza.</p>
<p>GRANDSTREAM NON FORNISCE COLLEGAMENTI AI SERVIZI DI EMERGENZA ATTRAVERSO WP816. NÈ GRANSTREAM NÈ I SUOI RESPONSABILI, DIPENDENTI O AFFILIATI POSSONO ESSERE RITENUTI RESPONSABILI DI QUALSIASI RECLAMO, DANNO O PERDITA, E DI QUALSIASI AZIONE LEGALE DERIVANTE DA TALI RECLAMI O CAUSE IN RELAZIONE ALL'IMPOSSIBILITÀ DI USARE IL WP816 PER CHIAMATE AI SERVIZI O DI STRINGERE ACCORDI SUPPLEMENTARI PER ACCEDERE AI SERVIZI DI EMERGENZA IN CONFORMITÀ AL PARAGRAFO PRECEDENTE.</p>
<p>I termini della licenza GNU GPL sono incorporati nel firmware del dispositivo e sono accessibili tramite l'interfaccia utente Web del dispositivo a: ip_dispositivo/gpl_license. È anche possibile accedervi all'indirizzo: https://www.grandstream.com/legal/open-source-softwarePer ottenere un CD con informazioni sul codice sorgente GPL, si prega di inviare una richiesta scritta a info@grandstream.com</p>

Italiano
<p>WP816 non è preconfigurato per supportare o effettuare chiamate di emergenza a qualsiasi tipo di ospedale, struttura giudiziaria, unità di assistenza medica ("Servizi di emergenza") o a qualsiasi altro tipo di ervizio di emergenza. È necessario effettuare accordi supplementari per accedere ai Servizi di emergenza. È a Vostra esclusiva responsabilità acquistare servizi di telefonia internet conformi con SIP, configurare WP816 correttamente per usare tale servizio ed effettuare test periodici della configurazione per assicurarsi che funzioni in modo idoneo. Se non si effettua ciò, è Vostra responsabilità acquistare servizi telefonici fissi o wireless tradizionali per accedere ai Servizi di emergenza.</p>
<p>GRANDSTREAM NON FORNISCE COLLEGAMENTI AI SERVIZI DI EMERGENZA ATTRAVERSO WP816. NÈ GRANSTREAM NÈ I SUOI RESPONSABILI, DIPENDENTI O AFFILIATI POSSONO ESSERE RITENUTI RESPONSABILI DI QUALSIASI RECLAMO, DANNO O PERDITA, E DI QUALSIASI AZIONE LEGALE DERIVANTE DA TALI RECLAMI O CAUSE IN RELAZIONE ALL'IMPOSSIBILITÀ DI USARE IL WP816 PER CHIAMATE AI SERVIZI O DI STRINGERE ACCORDI SUPPLEMENTARI PER ACCEDERE AI SERVIZI DI EMERGENZA IN CONFORMITÀ AL PARAGRAFO PRECEDENTE.</p>
<p>I termini della licenza GNU GPL sono incorporati nel firmware del dispositivo e sono accessibili tramite l'interfaccia utente Web del dispositivo a: ip_dispositivo/gpl_license. È anche possibile accedervi all'indirizzo: https://www.grandstream.com/legal/open-source-softwarePer ottenere un CD con informazioni sul codice sorgente GPL, si prega di inviare una richiesta scritta a info@grandstream.com</p>

Italiano
<p>WP816 non è preconfigurato per supportare o effettuare chiamate di emergenza a qualsiasi tipo di ospedale, struttura giudiziaria, unità di assistenza medica ("Servizi di emergenza") o a qualsiasi altro tipo di ervizio di emergenza. È necessario effettuare accordi supplementari per accedere ai Servizi di emergenza. È a Vostra esclusiva responsabilità acquistare servizi di telefonia internet conformi con SIP, configurare WP816 correttamente per usare tale servizio ed effettuare test periodici della configurazione per assicurarsi che funzioni in modo idoneo. Se non si effettua ciò, è Vostra responsabilità acquistare servizi telefonici fissi o wireless tradizionali per accedere ai Servizi di emergenza.</p>
<p>GRANDSTREAM NON FORNISCE COLLEGAMENTI AI SERVIZI DI EMERGENZA ATTRAVERSO WP816. NÈ GRANSTREAM NÈ I SUOI RESPONSABILI, DIPENDENTI O AFFILIATI POSSONO ESSERE RITENUTI RESPONSABILI DI QUALSIASI RECLAMO, DANNO O PERDITA, E DI QUALSIASI AZIONE LEGALE DERIVANTE DA TALI RECLAMI O CAUSE IN RELAZIONE ALL'IMPOSSIBILITÀ DI USARE IL WP816 PER CHIAMATE AI SERVIZI O DI STRINGERE ACCORDI SUPPLEMENTARI PER ACCEDERE AI SERVIZI DI EMERGENZA IN CONFORMITÀ AL PARAGRAFO PRECEDENTE.</p>
<p>I termini della licenza GNU GPL sono incorporati nel firmware del dispositivo e sono accessibili tramite l'interfaccia utente Web del dispositivo a: ip_dispositivo/gpl_license. È anche possibile accedervi all'indirizzo: https://www.grandstream.com/legal/open-source-softwarePer ottenere un CD con informazioni sul codice sorgente GPL, si prega di inviare una richiesta scritta a info@grandstream.com</p>

Italiano
<p>WP816 non è preconfigurato per supportare o effettuare chiamate di emergenza a qualsiasi tipo di ospedale, struttura giudiziaria, unità di assistenza medica ("Servizi di emergenza") o a qualsiasi altro tipo di ervizio di emergenza. È necessario effettuare accordi supplementari per accedere ai Servizi di emergenza. È a Vostra esclusiva responsabilità acquistare servizi di telefonia internet conformi con SIP, configurare WP816 correttamente per usare tale servizio ed effettuare test periodici della configurazione per assicurarsi che funzioni in modo idoneo. Se non si effettua ciò, è Vostra responsabilità acquistare servizi telefonici fissi o wireless tradizionali per accedere ai Servizi di emergenza.</p>
<p>GRANDSTREAM NON FORNISCE COLLEGAMENTI AI SERVIZI DI EMERGENZA ATTRAVERSO WP816. NÈ GRANSTREAM NÈ I SUOI RESPONSABILI, DIPENDENTI O AFFILIATI POSSONO ESSERE RITENUTI RESPONSABILI DI QUALSIASI RECLAMO, DANNO O PERDITA, E DI QUALSIASI AZIONE LEGALE DERIVANTE DA TALI RECLAMI O CAUSE IN RELAZIONE ALL'IMPOSSIBILITÀ DI USARE IL WP816 PER CHIAMATE AI SERVIZI O DI STRINGERE ACCORDI SUPPLEMENTARI PER ACCEDERE AI SERVIZI DI EMERGENZA IN CONFORMITÀ AL PARAGRAFO PRECEDENTE.</p>
<p>I termini della licenza GNU GPL sono incorporati nel firmware del dispositivo e sono accessibili tramite l'interfaccia utente Web del dispositivo a: ip_dispositivo/gpl_license. È anche possibile accedervi all'indirizzo: https://www.grandstream.com/legal/open-source-softwarePer ottenere un CD con informazioni sul codice sorgente GPL, si prega di inviare una richiesta scritta a info@grandstream.com</p>

Русский
<p>WP816 не предназначен для поддержки и выполнения срочных звонков в медицинские учреждения, правоохранительные органы, учреждения здравоохранения ("Экстренные службы") и в какие-либо другие экстренные службы. Для доступа к экстренным службам необходимо предпринять дополнительные меры. Приобретение SIP-совместимой услуги Интернет телефонии, надлежащая конфигурация WP816 дляиспользования данной услуги и периодическая проверка конфигурации с целью подтверждения правильности работы являются обязанностью заказчика. Если это не сделано, то для доступа к экстренным службам необходимо подключиться к услугам беспроводной или проводной телефонной связи.</p>
<p>GRANDSTREAM НЕ ПРЕДОСТАВЛЯЕТ ПОДКЛЮЧЕНИЕ К ЭКСТРЕННЫМ СЛУЖБАМ ЧЕРЕЗ WP816. КРОМЕ ТОГО, НИ КОМПАНИЯ GRANDSTREAM, НИ ЕЕ РУКОВОДИТЕЛИ, СОТРУДНИКИ И АФФИЛИРОВАННЫЕ ЛИЦА НЕ НЕСУТ ОТВЕТСТВЕННОСТИ В СЛУЧАЕ КАКИХ-ЛИБО ПРЕТЕНЗИЙ, УЩЕРБА ЛИБО ПОТЕРЬ, И ВЫ ТЕМ САМЫМ ОТКАЗЫВАЕТЕСЬ ОТ КАКИХЛИБО ТРЕБОВАНИЙ ИЛИ ОСНОВАНИЙ ДЛЯ ИСКА, ЯВЛЯЮЩИХСЯ РЕЗУЛЬТАТОМ ИЛИ КАСАЮЩИХСЯ ВАШЕЙ НЕСПОСОБНОСТИ ИСПОЛЬЗОВАТЬ WP816, ЧТОБЫ СВЯЗАТЬСЯ С АВАРИЙНЫМИ СЛУЖБАМИ И ВАШИМ ОТКАЗОМ СДЕЛАТЬ ДОПОЛНИТЕЛЬНЫЕ ПРИГОТОВЛЕНИЯ, ЧТОБЫ ПОЛУЧИТЬ ДОСТУП К АВАРИЙНЫМ СЛУЖБАМ В СООТВЕТСТВИИ С ПРЕДЫДУЩИМ ПАРАГРАФОМ.</p>
<p>Условия лицензии GNU GPL включены в прошивку устройства и доступны через веб-интерфейс пользователя устройства по адресу my_device_ip/gpl_license. Также можно получить доступ здесь: https://www.grandstream.com/legal/open-source-software Для получения компакт-диска с информацией об исходном коде GPL, пожалуйста, отправьте письменный запрос по адресу info@grandstream.com.</p>

Русский
<p>WP816 не предназначен для поддержки и выполнения срочных звонков в медицинские учреждения, правоохранительные органы, учреждения здравоохранения ("Экстренные службы") и в какие-либо другие экстренные службы. Для доступа к экстренным службам необходимо предпринять дополнительные меры. Приобретение SIP-совместимой услуги Интернет телефонии, надлежащая конфигурация WP816 дляиспользования данной услуги и периодическая проверка конфигурации с целью подтверждения правильности работы являются обязанностью заказчика. Если это не сделано, то для доступа к экстренным службам необходимо подключиться к услугам беспроводной или проводной телефонной связи.</p>
<p>GRANDSTREAM НЕ ПРЕДОСТАВЛЯЕТ ПОДКЛЮЧЕНИЕ К ЭКСТРЕННЫМ СЛУЖБАМ ЧЕРЕЗ WP816. КРОМЕ ТОГО, НИ КОМПАНИЯ GRANDSTREAM, НИ ЕЕ РУКОВОДИТЕЛИ, СОТРУДНИКИ И АФФИЛИРОВАННЫЕ ЛИЦА НЕ НЕСУТ ОТВЕТСТВЕННОСТИ В СЛУЧАЕ КАКИХ-ЛИБО ПРЕТЕНЗИЙ, УЩЕРБА ЛИБО ПОТЕРЬ, И ВЫ ТЕМ САМЫМ ОТКАЗЫВАЕТЕСЬ ОТ КАКИХЛИБО ТРЕБОВАНИЙ ИЛИ ОСНОВАНИЙ ДЛЯ ИСКА, ЯВЛЯЮЩИХСЯ РЕЗУЛЬТАТОМ ИЛИ КАСАЮЩИХСЯ ВАШЕЙ НЕСПОСОБНОСТИ ИСПОЛЬЗОВАТЬ WP816, ЧТОБЫ СВЯЗАТЬСЯ С АВАРИЙНЫМИ СЛУЖБАМИ И ВАШИМ ОТКАЗОМ СДЕЛАТЬ ДОПОЛНИТЕЛЬНЫЕ ПРИГОТОВЛЕНИЯ, ЧТОБЫ ПОЛУЧИТЬ ДОСТУП К АВАРИЙНЫМ СЛУЖБАМ В СООТВЕТСТВИИ С ПРЕДЫДУЩИМ ПАРАГРАФОМ.</p>
<p>Условия лицензии GNU GPL включены в прошивку устройства и доступны через веб-интерфейс пользователя устройства по адресу my_device_ip/gpl_license. Также можно получить доступ здесь: https://www.grandstream.com/legal/open-source-software Для получения компакт-диска с информацией об исходном коде GPL, пожалуйста, отправьте письменный запрос по адресу info@grandstream.com.</p>

Русский
<p>WP816 не предназначен для поддержки и выполнения срочных звонков в медицинские учреждения, правоохранительные органы, учреждения здравоохранения ("Экстренные службы") и в какие-либо другие экстренные службы. Для доступа к экстренным службам необходимо предпринять дополнительные меры. Приобретение SIP-совместимой услуги Интернет телефонии, надлежащая конфигурация WP816 дляиспользования данной услуги и периодическая проверка конфигурации с целью подтверждения правильности работы являются обязанностью заказчика. Если это не сделано, то для доступа к экстренным службам необходимо подключиться к услугам беспроводной или проводной телефонной связи.</p>
<p>GRANDSTREAM НЕ ПРЕДОСТАВЛЯЕТ ПОДКЛЮЧЕНИЕ К ЭКСТРЕННЫМ СЛУЖБАМ ЧЕРЕЗ WP816. КРОМЕ ТОГО, НИ КОМПАНИЯ GRANDSTREAM, НИ ЕЕ РУКОВОДИТЕЛИ, СОТРУДНИКИ И АФФИЛИРОВАННЫЕ ЛИЦА НЕ НЕСУТ ОТВЕТСТВЕННОСТИ В СЛУЧАЕ КАКИХ-ЛИБО ПРЕТЕНЗИЙ, УЩЕРБА ЛИБО ПОТЕРЬ, И ВЫ ТЕМ САМЫМ ОТКАЗЫВАЕТЕСЬ ОТ КАКИХЛИБО ТРЕБОВАНИЙ ИЛИ ОСНОВАНИЙ ДЛЯ ИСКА, ЯВЛЯЮЩИХСЯ РЕЗУЛЬТАТОМ ИЛИ КАСАЮЩИХСЯ ВАШЕЙ НЕСПОСОБНОСТИ ИСПОЛЬЗОВАТЬ WP816, ЧТОБЫ СВЯЗАТЬСЯ С АВАРИЙНЫМИ СЛУЖБАМИ И ВАШИМ ОТКАЗОМ СДЕЛАТЬ ДОПОЛНИТЕЛЬНЫЕ ПРИГОТОВЛЕНИЯ, ЧТОБЫ ПОЛУЧИТЬ ДОСТУП К АВАРИЙНЫМ СЛУЖБАМ В СООТВЕТСТВИИ С ПРЕДЫДУЩИМ ПАРАГРАФОМ.</p>
<p>Условия лицензии GNU GPL включены в прошивку устройства и доступны через веб-интерфейс пользователя устройства по адресу my_device_ip/gpl_license. Также можно получить доступ здесь: https://www.grandstream.com/legal/open-source-software Для получения компакт-диска с информацией об исходном коде GPL, пожалуйста, отправьте письменный запрос по адресу info@grandstream.com.</p>

Português
<p>O WP816 não está pre-configurado para realizar chamadas de emergência para nenhum hospital, agência de aplicação da lei, unidade de cuidados médicos ("Serviço(s) de emergência") ou qualquer outro tipo de serviço de emergência. Você deve realizar configurações adicionais para acessar aos serviços de emergência. É sua responsabilidade contratar um serviço de telefonia de internet compatível com o protocolo SIP, configurar o WP816 da maneira adequada para utilizar este serviço, e periodicamente testar a configuração realizada para confirmar que está funcionando da maneira desejada. É sua responsabilidade adquirir um serviço de telefonia tradicional para acessar aos Serviços de Emergência.</p>
<p>NEM A GRANDSTREAM NEM SEUS ESCRITÓRIOS, FUNCIONÁRIOS OU AFILIADOS PODEM SER RESPONSABILIZADOS POR QUALQUER REIVINDICAÇÃO, DANO OU PERDA, E VOCÊ AQUI REPRESENTA TODAS AS TAIS RECLAMAÇÕES OU CAUSAS DE AÇÃO DECORRENTES DE OU RELACIONADAS À SUA INCAPACIDADE DE USAR O WP816 PARA ENTRAR EM CONTATO COM SERVIÇOS DE EMERGÊNCIA, E A SUA FALHA DE FAZER ARRANJOS ADICIONAIS PARA ACESSAR SERVIÇOS DE EMERGÊNCIA DE ACORDO COM O PARÁGRAFO IMEDIATAMENTE ANTERIOR.</p>
<p>Os termos de licença GNU GPL estão dentro do firmware do dispositivo e você pode visualizar o documento através da interface web do dispositivo, em my_device_ip/gpl_license. Também, pode visualizar o documento através do site: https://www.grandstream.com/legal/open-source-software. Para obter um CD com a informação do código fonte GPL, por favor solicite-o através de info@grandstream.com</p>

PRECAUTIONS
<ul style="list-style-type: none"><li>Please DO NOT power cycle the WP816 during system boot up or firmware upgrade. You may corrupt firmware images and cause the unit to malfunction.</li></ul>
<ul style="list-style-type: none"><li>Use only the power adapter included in the WP816 package. Using an alternative non-qualified power adapter may possibly damage the unit.</li></ul>

PRECAUTIONS
<ul style="list-style-type: none"><li>Please DO NOT power cycle the WP816 during system boot up or firmware upgrade. You may corrupt firmware images and cause the unit to malfunction.</li></ul>
<ul style="list-style-type: none"><li>Use only the power adapter included in the WP816 package. Using an alternative non-qualified power adapter may possibly damage the unit.</li></ul>

PRECAUTIONS
<ul style="list-style-type: none"><li>Please DO NOT power cycle the WP816 during system boot up or firmware upgrade. You may corrupt firmware images and cause the unit to malfunction.</li></ul>
<ul style="list-style-type: none"><li>Use only the power adapter included in the WP816 package. Using an alternative non-qualified power adapter may possibly damage the unit.</li></ul>

PRECAUTIONS
<ul style="list-style-type: none"><li>Please DO NOT power cycle the WP816 during system boot up or firmware upgrade. You may corrupt firmware images and cause the unit to malfunction.</li></ul>
<ul style="list-style-type: none"><li>Use only the power adapter included in the WP816 package. Using an alternative non-qualified power adapter may possibly damage the unit.</li></ul>

PRECAUTIONS
<ul style="list-style-type: none"><li>Please DO NOT power cycle the WP816 during system boot up or firmware upgrade. You may corrupt firmware images and cause the unit to malfunction.</li></ul>
<ul style="list-style-type: none"><li>Use only the power adapter included in the WP816 package. Using an alternative non-qualified power adapter may possibly damage the unit.</li></ul>

PRECAUTIONS
<ul style="list-style-type: none"><li>Please DO NOT power cycle the WP816 during system boot up or firmware upgrade. You may corrupt firmware images and cause the unit to malfunction.</li></ul>
<ul style="list-style-type: none"><li>Use only the power adapter included in the WP816 package. Using an alternative non-qualified power adapter may possibly damage the unit.</li></ul>

PRECAUTIONS
<ul style="list-style-type: none"><li>Please DO NOT power cycle the WP816 during system boot up or firmware upgrade. You may corrupt firmware images and cause the unit to malfunction.</li></ul>
<ul style="list-style-type: none"><li>Use only the power adapter included in the WP816 package. Using an alternative non-qualified power adapter may possibly damage the unit.</li></ul>

PRECAUTIONS
<ul style="list-style-type: none"><li>Please DO NOT power cycle the WP816 during system boot up or firmware upgrade. You may corrupt firmware images and cause the unit to malfunction.</li></ul>
<ul style="list-style-type: none"><li>Use only the power adapter included in the WP816 package. Using an alternative non-qualified power adapter may possibly damage the unit.</li></ul>

PRECAUTIONS
<ul style="list-style-type: none"><li>Please DO NOT power cycle the WP816 during system boot up or firmware upgrade. You may corrupt firmware images and cause the unit to malfunction.</li></ul>
<ul style="list-style-type: none"><li>Use only the power adapter included in the WP816 package. Using an alternative non-qualified power adapter may possibly damage the unit.</li></ul>

PRECAUTIONS
<ul style="list-style-type: none"><li>Please DO NOT power cycle the WP816 during system boot up or firmware upgrade. You may corrupt firmware images and cause the unit to malfunction.</li></ul>
<ul style="list-style-type: none"><li>Use only the power adapter included in the WP816 package. Using an alternative non-qualified power adapter may possibly damage the unit.</li></ul>

PRECAUTIONS
<ul style="list-style-type: none"><li>Please DO NOT power cycle the WP816 during system boot up or firmware upgrade. You may corrupt firmware images and cause the unit to malfunction.</li></ul>
<ul style="list-style-type: none"><li>Use only the power adapter included in the WP816 package. Using an alternative non-qualified power adapter may possibly damage the unit.</li></ul>

PRECAUTIONS
<ul style="list-style-type: none"><li>Please DO NOT power cycle the WP816 during system boot up or firmware upgrade. You may corrupt firmware images and cause the unit to malfunction.</li></ul>
<ul style="list-style-type: none"><li>Use only the power adapter included in the WP816 package. Using an alternative non-qualified power adapter may possibly damage the unit.</li></ul>

PRECAUTIONS
<ul style="list-style-type: none"><li>Please DO NOT power cycle the WP816 during system boot up or firmware upgrade. You may corrupt firmware images and cause the unit to malfunction.</li></ul>
<ul style="list-style-type: none"><li>Use only the power adapter included in the WP816 package. Using an alternative non-qualified power adapter may possibly damage the unit.</li></ul>